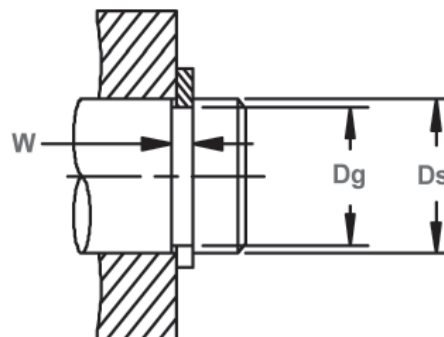


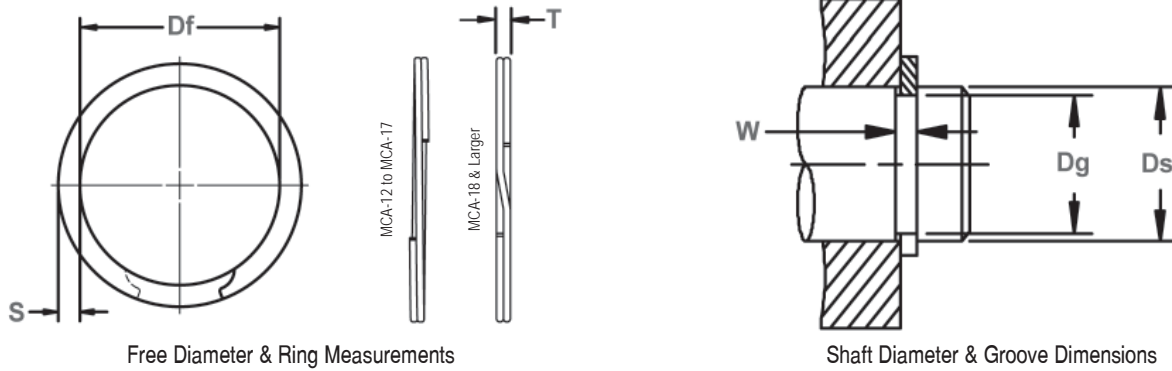
Free Diameter & Ring Measurements



Shaft Diameter & Groove Dimensions

RING NO.	SHAFT DIAMETER (mm)	GROOVE SIZE				RING SIZE				SECTION	THRUST LOAD (N)		R.P.M. LIMITS Standard Material (Carbon Steel)
		DIAMETER		WIDTH		FREE DIAMETER		THICKNESS			RING Safety factor of 3	GROOVE Safety factor of 2	
		Ds	Dg	Tol.	W	Tol.	Df	Tol.	T				
MCA-12	12	11.29	±0.06	0.70	+0.08 -0.00	11.18	+0.00 -0.33	0.60	±0.05	1.02-1.22	7950	2100	22153
MCA-13	13	12.24		1.00		12.13		0.89		1.14-1.35	12100	2410	20094
MCA-14	14	13.19		1.00		13.06		0.89		1.14-1.35	13040	2800	18471
MCA-15	15	14.09	1.00	13.98		0.89		1.14-1.35		13970	3360	14543	
MCA-16	16	15.02	1.00	14.90		0.89		1.27-1.48		14900	3820	14149	
MCA-17	17	16.02	1.00	15.82		0.89		1.27-1.48		15830	4060	15923	
MCA-18	18	16.92	1.20	16.80		1.07		1.52-1.73		20150	4730	12233	
MCA-19	19	17.87	1.20	17.73		1.07		1.52-1.73		21270	5270	11685	
MCA-20	20	18.77	±0.075	1.20		18.62		1.07		1.52-1.73	22390	6040	10810
MCA-21	21	19.72	±0.075	1.20		19.57		1.07		1.52-1.73	23510	6550	9641
MCA-22	22	20.62	±0.075	1.20	20.45	1.07	1.78-1.98	24630	7390	10397			
MCA-23	23	21.57	±0.075	1.20	21.39	1.07	1.78-1.98	25750	8070	9652			
MCA-24	24	22.52	±0.10	1.20	22.35	1.07	1.78-1.98	26870	8650	8479			
MCA-25	25	23.42	±0.10	1.20	23.25	1.07	2.03-2.24	27990	9620	8524			
MCA-26	26	24.42	±0.10	1.20	24.21	1.07	2.03-2.24	29110	10000	8642			
MCA-27	27	25.35	±0.10	1.40	25.04	1.27	2.49-2.69	31170	10910	11357			
MCA-28	28	26.30	±0.10	1.40	26.00	1.27	2.49-2.69	32330	11590	10259			
MCA-29	29	27.27	±0.10	1.40	26.95	1.27	2.49-2.69	33480	12290	9765			
MCA-30	30	28.25	±0.10	1.40	27.92	1.27	2.49-2.69	34640	12860	9149			
MCA-31	31	29.17	±0.10	1.40	28.84	1.27	2.49-2.69	35790	13890	8495			
MCA-32	32	30.10	±0.10	1.40	29.77	1.27	2.49-2.69	36950	14960	7778			
MCA-34	34	31.90	±0.15	1.40	31.54	1.27	2.87-3.07	39260	17390	7982			
MCA-35	35	32.80	±0.15	1.40	32.44	1.27	2.87-3.07	40410	18750	7485			
MCA-36	36	33.75	±0.15	1.40	33.40	1.27	2.87-3.07	41560	19810	6903			
MCA-37	37	34.67	±0.15	1.40	34.24	1.27	2.87-3.07	42720	21080	7227			
MCA-38	38	35.65	±0.15	1.40	35.18	1.27	2.87-3.07	43870	21650	7174			
MCA-40	40	37.55	±0.15	1.75	37.15	1.57	3.12-3.33	57090	23960	6172			
MCA-42	42	39.45	±0.15	1.75	39.02	1.57	3.12-3.33	59990	26180	5715			
MCA-45	45	42.25	±0.15	1.75	41.77	1.57	3.12-3.33	64230	30240	5158			
MCA-46	46	43.15	±0.15	1.75	42.67	+0.00	3.12-3.33	65660	32040	4909			
MCA-47	47	44.31	±0.15	1.75	43.81	-0.51	3.89-4.09	67080	30900	5570			
MCA-48	48	45.05	±0.15	1.75	44.48	1.57	3.89-4.09	68510	34600	5744			
MCA-50	50	47.05	±0.15	1.75	46.69	1.57	3.89-4.09	71370	36040	4084			
MCA-52	52	50.15	±0.15	1.42	49.62	+0.00/-0.50	3.12-3.33	59090	23550	3616			
MCA-53	53	51.15	±0.15	1.42	50.62	1.25	3.12-3.33	60230	24000	3450			
MCA-54	54	52.15	±0.15	1.42	51.62	1.25	3.12-3.33	61370	24460	3295			
MCA-55	55	53.15	±0.15	1.42	52.62	1.25	3.38-3.58	62500	24910	3360			
MCA-56	56	54.15	±0.15	1.42	53.62	1.25	3.38-3.58	63640	25370	3215			
MCA-58	58	56.01	±0.15	1.42	55.43	+0.00	3.38-3.58	65910	28250	3111			
MCA-59	59	57.01	±0.15	1.42	56.43	-0.63	3.38-3.58	67050	28730	2982			
MCA-60	60	58.01	±0.15	1.42	57.43	1.25	3.38-3.58	68180	29220	2862			
MCA-61	61	58.91	±0.15	1.42	58.36	1.25	3.38-3.58	69320	31190	2683			
MCA-62	62	59.91	±0.15	1.42	59.30	1.25	3.63-3.84	70460	31710	2884			
MCA-63	63	60.91	±0.15	1.42	60.30	1.25	3.63-3.84	71590	32220	2773			
MCA-64	64	61.91	±0.15	1.42	61.25	1.25	3.63-3.84	72730	32730	2780			

ALL DIMENSIONS IN MILLIMETERS UNLESS OTHERWISE STATED.  
\*Contact factory on particulars for rings to meet aerospace specifications.



RING NO.	SHAFT DIAMETER (mm)	GROOVE SIZE				RING SIZE				SECTION	THRUST LOAD (N)		R.P.M. LIMITS Standard Material (Carbon Steel)
		DIAMETER		WIDTH		FREE DIAMETER		THICKNESS			RING Safety factor of 3	GROOVE Safety factor of 2	
		Ds	Dg	Tol.	W	Tol.	Df	Tol.	T				
MCA-65	65	62.81		1.42		62.20		1.25		3.63-3.84	73870	34820	2577
MCA-66	66	63.79		1.42		63.16	+0.00	1.25		3.63-3.84	75000	35680	2526
MCA-67	67	64.71		1.42		64.16	-0.63	1.25		3.63-3.84	76140	37530	2275
MCA-68	68	65.71		1.42	+0.10	65.08		1.25		3.89-4.09	77270	38090	2486
MCA-69	69	66.71		1.42	-0.00	66.06		1.25		3.89-4.09	78410	38650	2438
MCA-70	70	67.71		1.42		67.08		1.25		3.89-4.09	79550	39210	2315
MCA-71	71	68.71		1.42		68.04		1.25		3.89-4.09	80680	39770	2309
MCA-72	72	69.65		1.42		69.00	+0.00	1.25		4.11-4.37	81820	41380	2321
MCA-75	75	72.61		1.42		71.93	-0.76	1.25		4.11-4.37	85230	43830	2152
MCA-78	78	75.55		1.73		74.84		1.55	±0.08	4.11-4.37	109910	46730	2007
MCA-80	80	77.51		1.73		76.80		1.55		4.37-4.62	112730	48700	1981
MCA-82	82	79.45	±0.15	1.73		78.72		1.55		4.37-4.62	115550	51120	1895
MCA-85	85	82.35		1.73		81.62		1.55		4.62-4.88	119780	55060	1825
MCA-88	88	85.31		1.73		84.53		1.55		4.62-4.88	124000	57860	1737
MCA-90	90	87.21		1.73		86.43		1.55		4.88-5.13	126820	61370	1721
MCA-95	95	92.15		1.73		91.37		1.55		4.88-5.13	133870	66160	1509
MCA-100	100	97.01		1.73		96.10		1.55		5.13-5.38	140910	73050	1508
MCA-105	105	101.85		1.73	+0.13	100.94	+0.00	1.55		5.38-5.64	147960	80780	1399
MCA-110	110	106.69		1.73	-0.00	105.75	-1.00	1.55		5.64-5.89	155000	88930	1323
MCA-115	115	111.55		1.73		110.59		1.55		5.89-6.15	162050	96890	1248
MCA-120	120	116.45		2.00		115.49		1.83		6.20-6.45	199640	104030	1176
MCA-125	125	121.45		2.00		120.44		1.83		6.20-6.45	207960	108360	1092
MCA-130	130	126.35		2.00		125.34		1.83		6.20-6.45	216280	115860	993
MCA-135	135	131.27		2.00		130.20		1.83		6.20-6.45	224600	122950	934
MCA-140	140	136.25	±0.175	2.00		135.14	+0.00	1.83		6.20-6.45	232920	128190	870
MCA-145	145	141.17		2.00		140.00	-1.30	1.83		6.20-6.45	241230	135590	821
MCA-150	150	146.17		2.00		145.00		1.83		6.20-6.45	249550	140260	755
MCA-155	155	150.60		2.40		149.33		2.18		7.72-8.03	307190	166080	891
MCA-160	160	155.60		2.40		154.31		2.18		7.72-8.03	317100	171430	831
MCA-165	165	160.60		2.40		159.23	+0.00	2.18		7.72-8.03	327010	176790	795
MCA-170	170	165.40		2.40		164.00	-1.52	2.18		7.72-8.03	336920	190430	749
MCA-175	175	170.40		2.40		169.00		2.18		7.72-8.03	346830	196030	697
MCA-180	180	175.20		2.40		173.78		2.18	±0.10	7.72-8.03	356740	210400	657
MCA-185	185	180.20		2.40		178.70		2.18		7.72-8.03	366650	216240	631
MCA-190	190	185.20	±0.20	2.40		183.70		2.18		7.72-8.03	376560	220080	591
MCA-195	195	190.00		2.40	+0.15	188.43		2.18		7.72-8.03	386470	237420	569
MCA-200	200	195.00		2.40	-0.00	193.43		2.18		7.72-8.03	396370	243510	534
MCA-210	210	204.60		2.40		202.93		2.18		9.32-9.63	416190	276140	579
MCA-220	220	214.40		2.40		212.65	+0.00	2.18		9.32-9.63	436010	300010	530
MCA-230	230	224.40		2.40		222.60	-1.78	2.18		9.32-9.63	455830	313640	482
MCA-240	240	234.20		2.40		232.32		2.18		9.32-9.63	475650	328970	444
MCA-250	250	243.80		2.40		241.83		2.18		9.32-9.63	495470	377440	413
MCA-260	260	253.60		2.40		251.57		2.18		9.32-9.63	515290	405210	381
MCA-270	270	263.40		2.40		261.30		2.18		9.32-9.63	535100	433940	354
MCA-280	280	273.20		2.40		271.04		2.18		9.32-9.63	554920	463650	328

ALL DIMENSIONS IN MILLIMETERS UNLESS OTHERWISE STATED.