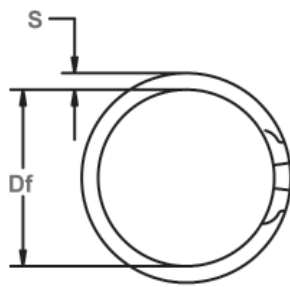
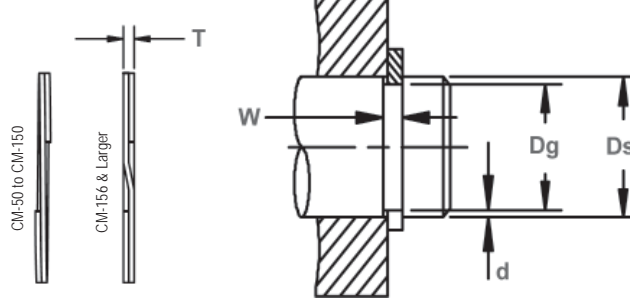


# CM Spiral Shaft Rings

**External, Medium Duty**  
 These 2-turn rings provide 360° groove contact and are designed for applications with medium thrust loads.

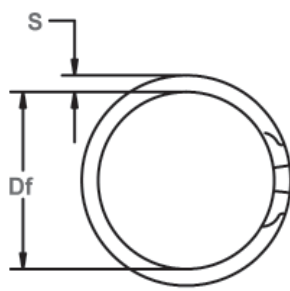


Free Diameter & Ring Measurements

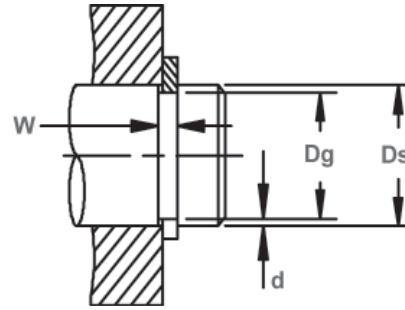
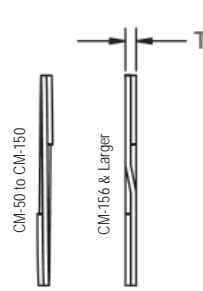


Shaft Diameter & Groove Dimensions

RING NO.	SHAFT DIAMETER (In.)	GROOVE SIZE					FREE DIAMETER			RING SIZE THICKNESS		SECTION		THRUST LOAD (lbs.)		R.P.M. LIMITS Standard Material (Carbon Steel)
		DIAMETER		WIDTH		DEPTH							RING Safety factor of 3	GROOVE Safety factor of 2		
		Ds	Dg	Tol.	W	Tol.	d	Df	Tol.	T	Tol.	S	Tol.			
CM-50	.500	.474		.030		.013	.467		.025		.045		2000	460	24650	
CM-53	.531	.505	+ .002	.030		.013	.498		.025		.045		2130	490	21280	
CM-55	.551	.525	- .002	.030		.013	.518		.025		.045		2210	510	19440	
CM-56	.562	.536		.030		.013	.529		.025		.045		2250	520	18520	
CM-59	.594	.569		.030		.013	.561		.025		.045		2380	550	17290	
CM-62	.625	.594		.030		.016	.585		.025		.055		2500	710	19500	
CM-65	.656	.625		.030		.016	.617		.025		.055		2630	740	16270	
CM-66	.669	.638		.030		.016	.629		.025		.055		2680	760	16510	
CM-68	.687	.656		.030		.016	.647		.025		.055		2750	780	15470	
CM-71	.718	.687		.030		.016	.679	+ .000	.025		.055		2880	810	13050	
CM-75	.750	.719		.036		.016	.710	- .013	.031		.065		3360	850	14290	
CM-78	.781	.750	+ .003	.036	+ .003	.016	.741		.031		.065		3500	880	12960	
CM-81	.812	.781	- .003	.036	- .000	.016	.771		.031		.065		3640	920	12470	
CM-84	.843	.812		.036		.016	.803		.031		.065		3780	950	10770	
CM-87	.875	.838		.036		.019	.828		.031		.065		3920	1180	10570	
CM-90	.906	.869		.036		.019	.860		.031		.065		4060	1220	9180	
CM-93	.937	.900		.036		.019	.889		.031	+ .002	.065	+ .003	4200	1260	9400	
CM-96	.968	.925		.042		.021	.916		.037	- .002	.075	- .005	5180	1440	8920	
CM-98	.984	.941		.042		.021	.930		.037		.075		5260	1460	9530	
CM-100	1.000	.957		.042		.021	.946		.037		.075		5350	1480	9160	
CM-102	1.023	.980		.042		.021	.968		.037		.075		5470	1520	9070	
CM-103	1.031	.988		.042		.021	.978		.037		.075		5510	1530	8080	
CM-106	1.062	1.020		.042		.021	1.007		.037		.075		5680	1580	8610	
CM-109	1.093	1.051		.042		.021	1.040		.037		.075		5840	1620	7350	
CM-112	1.125	1.083		.042		.021	1.070		.037		.075		6020	1670	7470	
CM-115	1.156	1.114		.042		.021	1.102		.037		.075		6180	1720	6700	
CM-118	1.188	1.140		.048		.024	1.127		.043		.085		7380	2020	7350	
CM-121	1.218	1.170		.048		.024	1.159		.043		.085		7570	2070	6340	
CM-125	1.250	1.202	+ .004	.048		.024	1.188	+ .000	.043		.085		7770	2120	6750	
CM-128	1.281	1.233	- .004	.048		.024	1.221	- .015	.043		.085		7960	2170	5860	
CM-131	1.312	1.264		.048	+ .004	.024	1.251		.043		.095		8150	2230	6310	
CM-134	1.343	1.295		.048	- .000	.024	1.282		.043		.095		8350	2280	5960	
CM-137	1.375	1.323		.048		.026	1.308		.043		.095		8540	2530	6110	
CM-140	1.406	1.354		.048		.026	1.340		.043		.095		8740	2580	5580	
CM-143	1.437	1.385		.048		.026	1.370		.043		.095		8930	2640	5490	
CM-146	1.468	1.416		.048		.026	1.402		.043		.095		9120	2700	5020	
CM-150	1.500	1.448		.048		.026	1.433		.043		.095		9320	2760	4940	



Free Diameter & Ring Measurements

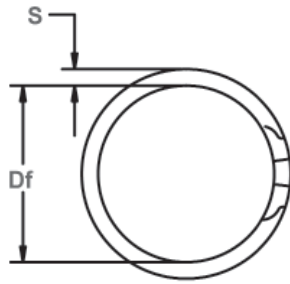


Shaft Diameter & Groove Dimensions

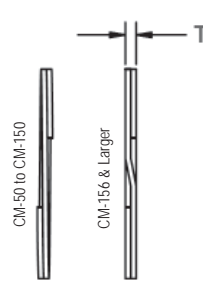
RING NO.	SHAFT DIAMETER (In.)	GROOVE SIZE					FREE DIAMETER		RING THICKNESS		SECTION		THRUST LOAD (lbs.)		R.P.M. LIMITS Standard Material (Carbon Steel)
		DIAMETER		WIDTH		DEPTH							RING Safety factor of 3	GROOVE Safety factor of 2	
		Ds	Dg	Tol.	W	Tol.	d	Df	Tol.	T	Tol.	S	Tol.		
CM-156	1.562	1.507		.056		.028	1.490		.049		.108		10100	3090	5343
CM-157	1.575	1.520		.056		.028	1.503		.049		.108		10190	3120	5240
CM-162	1.625	1.566		.056		.030	1.549		.049		.108		10510	3450	4880
CM-168	1.687	1.628		.056		.030	1.610		.049		.118		10910	3580	4930
CM-175	1.750	1.691	+.005 -.005	.056		.030	1.673		.049		.118		11310	3710	4510
CM-177	1.771	1.708		.056		.032	1.690		.049		.118		11450	4010	4410
CM-181	1.813	1.749		.056		.032	1.730	+.000 -.020	.049		.118		11720	4100	4290
CM-187	1.875	1.808		.056		.034	1.789		.049		.128		12120	4510	4240
CM-193	1.938	1.871		.056		.034	1.844		.049		.128	+.003 -.005	12530	4660	4020
CM-196	1.969	1.902		.056		.034	1.882		.049		.128		12730	4730	3860
CM-200	2.000	1.929		.056		.035	1.909		.049		.128		12930	4950	3740
CM-206	2.062	1.992		.056		.035	1.971		.049		.128		13330	5100	3550
CM-212	2.125	2.051		.056	+.004 -.000	.037	2.029		.049		.128		13740	5560	3400
CM-215	2.156	2.082		.056		.037	2.060		.049		.138		13940	5640	3490
CM-216	2.165	2.091		.056		.037	2.070		.049	+.003 -.003	.138		14000	5660	3370
CM-218	2.188	2.113		.056		.037	2.092		.049		.138		14150	5720	3290
CM-225	2.250	2.176		.056		.037	2.153		.049		.138		14550	5890	3220
CM-231	2.312	2.234		.056		.039	2.211		.049		.138		14950	6370	3020
CM-236	2.362	2.284		.056		.039	2.261	+.000 -.025	.049		.138		15270	6510	2870
CM-237	2.375	2.297		.056		.039	2.273		.049		.138		15360	6550	2890
CM-243	2.437	2.355		.056		.041	2.331		.049		.148		15760	7060	2920
CM-250	2.500	2.418	+.006 -.006	.056		.041	2.394		.049		.148		16160	7250	2750
CM-255	2.559	2.473		.056		.043	2.449		.049		.148		16550	7780	2600
CM-256	2.562	2.476		.056		.043	2.452		.049		.148		16560	7790	2600
CM-262	2.625	2.539		.056		.043	2.514		.049		.148		16970	7980	2500
CM-268	2.688	2.597		.056		.045	2.572		.049		.158		17380	8550	2470
CM-275	2.750	2.660		.056		.045	2.635		.049		.158		17780	8750	2340
CM-281	2.813	2.722		.056		.045	2.696		.049		.168	+.004 -.006	18190	8950	2380
CM-287	2.875	2.781		.056		.047	2.755		.049		.168		18590	9550	2260
CM-293	2.937	2.843		.056		.047	2.817		.049		.168		18990	9760	2140
CM-295	2.952	2.858		.056		.047	2.831	+.000 -.030	.049		.168		19090	9810	2160
CM-300	3.000	2.904		.068		.048	2.877		.061		.168		24150	10180	2080
CM-306	3.062	2.966		.068		.048	2.938		.061		.168		24650	10390	2020
CM-312	3.125	3.027		.068	+.005 -.000	.049	3.000		.061		.178		25150	10820	1980
CM-314	3.149	3.051		.068		.049	3.023		.061		.178		25350	10910	1980
CM-318	3.187	3.089		.068		.049	3.061		.061		.178		25650	11040	1930
CM-325	3.250	3.150		.068		.050	3.121		.061		.178		26160	11490	1870

# CM Spiral Shaft Rings

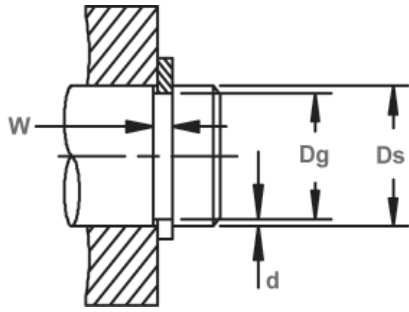
**External, Medium Duty**  
 These 2-turn rings provide 360° groove contact and are designed for applications with medium thrust loads.



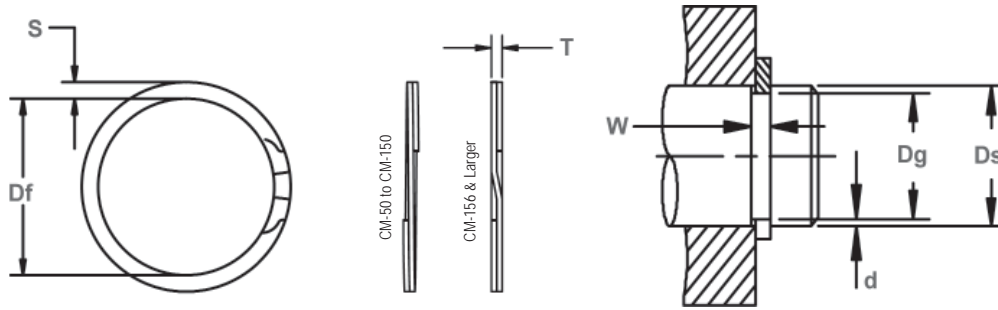
Free Diameter & Ring Measurements



Shaft Diameter & Groove Dimensions



RING NO.	SHAFT DIAMETER (In.)	GROOVE SIZE					FREE DIAMETER			RING SIZE THICKNESS		SECTION		THRUST LOAD (lbs.)		R.P.M. LIMITS Standard Material (Carbon Steel)
		DIAMETER		WIDTH		DEPTH	DIAMETER			THICKNESS		SECTION		RING Safety factor of 3	GROOVE Safety factor of 2	
		Ds	Dg	Tol.	W	Tol.	d	Df	Tol.	T	Tol.	S	Tol.			
CM-331	3.312	3.208		.068		.052	3.180		.061		.188		26660	12170	1840	
CM-334	3.343	3.239		.068		.052	3.210	+.000	.061		.188		26910	12290	1840	
CM-337	3.375	3.271		.068		.052	3.242	-.030	.061		.188		27170	12410	1790	
CM-343	3.437	3.331		.068		.053	3.301		.061		.188		27660	12880	1750	
CM-350	3.500	3.394		.068		.053	3.363		.061		.188		28170	13110	1700	
CM-354	3.543	3.433		.068		.055	3.402		.061		.198		28520	13770	1730	
CM-356	3.562	3.452		.068		.055	3.422		.061		.198		28670	13850	1680	
CM-362	3.625	3.515		.068		.055	3.483		.061		.198		29180	14090	1660	
CM-368	3.687	3.575		.068		.056	3.543		.061		.198		29680	14600	1600	
CM-374	3.740	3.628		.068		.056	3.597		.061		.198		30100	14800	1520	
CM-375	3.750	3.638		.068		.056	3.606		.061		.198		30180	14840	1530	
CM-381	3.812	3.700		.068		.056	3.668		.061	+.003	.198		30680	15090	1470	
CM-387	3.875	3.757		.068		.059	3.724		.061	-.003	.208		31190	16160	1500	
CM-393	3.938	3.820		.068		.059	3.784		.061		.208		31700	16420	1510	
CM-400	4.000	3.876	+.006	.068	+.005	.062	3.842		.061		.218	+.004	32200	17530	1470	
CM-406	4.063	3.939	-.006	.068	-.000	.062	3.906		.061		.218	-.006	32700	17810	1400	
CM-412	4.125	4.000		.068		.062	3.967		.061		.218		33200	18080	1350	
CM-413	4.134	4.010		.068		.062	3.975		.061		.218		33270	18120	1380	
CM-418	4.188	4.058		.068		.065	4.030	+.000	.061		.218		33710	19240	1360	
CM-425	4.250	4.120		.068		.065	4.084	-.040	.061		.228		34210	19530	1360	
CM-431	4.312	4.182		.068		.065	4.147		.061		.228		34710	19810	1300	
CM-433	4.331	4.200		.068		.065	4.164		.061		.228		34860	19900	1300	
CM-437	4.375	4.245		.068		.065	4.208		.061		.228		35210	20100	1290	
CM-443	4.437	4.307		.068		.065	4.271		.061		.228		35710	20390	1230	
CM-450	4.500	4.364		.068		.068	4.326		.061		.238		36220	21630	1270	
CM-456	4.562	4.422		.079		.070	4.384		.072		.250		43340	22570	1280	
CM-462	4.625	4.485		.079		.070	4.447		.072		.250		43940	22890	1240	
CM-468	4.687	4.547		.079		.070	4.508		.072		.250		44530	23190	1220	
CM-472	4.724	4.584		.079		.070	4.546		.072		.250		44880	23370	1180	
CM-475	4.750	4.610		.079		.070	4.571		.072		.250		45130	23500	1180	
CM-481	4.812	4.672		.079		.070	4.633		.072	+.004	.250		45720	23810	1140	
CM-487	4.875	4.735		.079		.070	4.695		.072	-.004	.250		46310	24120	1120	
CM-493	4.937	4.797		.079		.070	4.757		.072		.250		46900	24430	1090	
CM-500	5.000	4.856		.079		.072	4.820		.072		.250		47500	25450	1050	
CM-511	5.118	4.974		.079		.072	4.934		.072		.250		48620	26050	1000	
CM-512	5.125	4.981		.079		.072	4.939		.072		.250		48690	26080	1020	



Free Diameter & Ring Measurements

Shaft Diameter & Groove Dimensions

RING NO.	SHAFT DIAMETER (In.)	GROOVE SIZE					FREE DIAMETER			RING SIZE THICKNESS		SECTION		THRUST LOAD (lbs.)		R.P.M. LIMITS Standard Material (Carbon Steel)
		DIAMETER		WIDTH		DEPTH							RING Safety factor of 3	GROOVE Safety factor of 2		
		Ds	Dg	Tol.	W	Tol.	d	Df	Tol.	T	Tol.	S	Tol.			
CM-525	5.250	5.107		.079		.072	5.064		.072		.250		49880	26720	970	
CM-537	5.375	5.228		.079		.074	5.187		.072		.250		51060	28120	900	
CM-550	5.500	5.353		.079		.074	5.308		.072		.250		52250	28770	890	
CM-551	5.511	5.364	+ .007	.079	+ .005	.074	5.320		.072		.250	+ .004	52360	28830	870	
CM-562	5.625	5.478	- .007	.079	- .000	.074	5.433	+ .000	.072		.250	- .006	53440	29420	840	
CM-575	5.750	5.597		.079		.077	5.550	- .050	.072		.250		54630	31300	820	
CM-587	5.875	5.722		.079		.077	5.674		.072		.250		55810	31980		
CM-590	5.905	5.752		.079		.077	5.705		.072		.250		56100	32140		
CM-600	6.000	5.847		.079		.077	5.798		.072		.250		57000	32660		
CM-612	6.125	5.953		.094		.086	5.903		.086		.312		69500	37230		
CM-625	6.250	6.078		.094		.086	6.026		.086		.312		70920	37990		
CM-629	6.299	6.127		.094		.086	6.076		.086		.312		71480	38290		
CM-637	6.375	6.203		.094		.086	6.152		.086		.312		72340	38750		
CM-650	6.500	6.328		.094		.086	6.274		.086		.312		73760	39510		
CM-662	6.625	6.443		.094		.091	6.390	+ .000	.086		.312		75180	42620		
CM-675	6.750	6.568		.094		.091	6.513	- .060	.086		.312		76600	43420		
CM-687	6.875	6.693		.094		.091	6.638		.086		.312		78010	44220		
CM-700	7.000	6.818		.094		.091	6.761		.086		.312		79430	45030		
CM-712	7.125	6.933		.094		.096	6.877		.086	+ .004	.312		80850	48350		
CM-725	7.250	7.058		.094		.096	6.999		.086	- .004	.312		82270	49200		
CM-737	7.375	7.183		.094		.096	7.125		.086		.312		83690	50050		
CM-750	7.500	7.308	+ .008	.094	+ .006	.096	7.250		.086		.312	+ .004	85110	50890		
CM-762	7.625	7.423	- .008	.094	- .000	.101	7.363		.086		.312	- .008	86520	54440		
CM-775	7.750	7.548		.094		.101	7.486		.086		.312		87940	55330		
CM-787	7.875	7.673		.094		.101	7.611		.086		.312		89360	56220		
CM-800	8.000	7.798		.094		.101	7.734		.086		.312		90780	57110		
CM-825	8.250	8.038		.094		.106	7.972		.086		.375		93620	61820		
CM-850	8.500	8.288		.094		.106	8.220	+ .000	.086		.375		96450	63690		
CM-875	8.750	8.528		.094		.111	8.459	- .070	.086		.375		99290	68650		
CM-900	9.000	8.778		.094		.111	8.707		.086		.375		102130	70620		
CM-925	9.250	9.018		.094		.116	8.945		.086		.375		104960	75850		
CM-950	9.500	9.268		.094		.116	9.194		.086		.375		107800	77900		
CM-975	9.750	9.508		.094		.121	9.432		.086		.375		110640	83390		
CM-1000	10.000	9.758		.094		.121	9.680		.086		.375		113470	85530		
CM-1025	10.250	9.998		.094		.126	9.918		.086		.375		116310	91290		
CM-1050	10.500	10.248		.094		.126	10.166		.086		.375		119150	93520		
CM-1075	10.750	10.488		.094		.131	10.405		.086		.375		121990	99540		
CM-1100	11.000	10.738		.094		.131	10.653		.086		.375		124820	101860		

CONTACT FACTORY REGARDING MAX RPM LIMITS FOR LARGER DIAMETER RINGS.